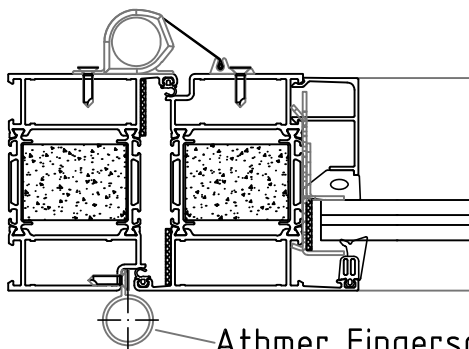


Finger trap protection opposite hinge side:  
Athmer Fingerschutz NR-32, assembled with screw P/N 12163.

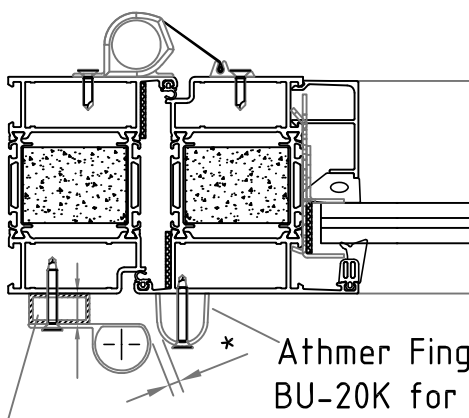
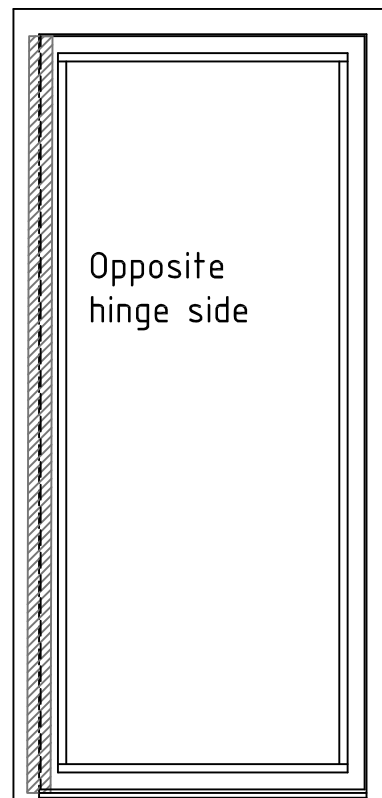
Alternative finger trap protections:  
Athmer Fingerschutz NR-25, NR-26w-proof, NR-30, NR-38 or versions in XL.

Finger trap protection hinge side:  
Athmer Fingerschutz BA-28 (alt. BD<sup>+</sup>-23 + BU-20K) for hinge e.g. P/N 14090 assembled with P/N 12138.  
Athmer Fingerschutz B0-20 for hinge P/N 14072/14094 assembled with P/N 12163 or 12134.



Athmer Fingerschutz B0-20 for hinge P/N 14072 and 14094.

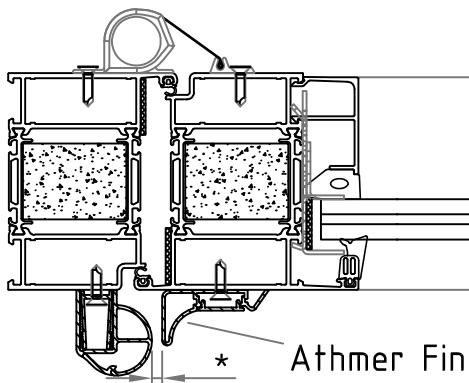
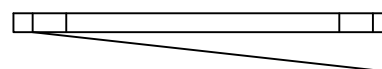
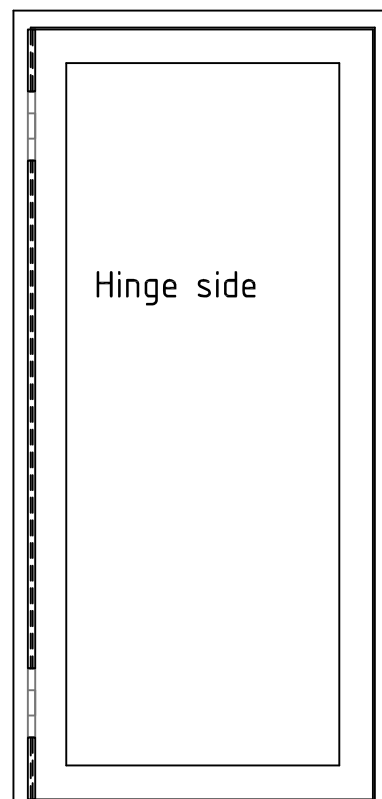
\*NOTE! Consider even opening angle and profile/section when selecting the finger trap protection.



Athmer Fingerschutz BD<sup>+</sup> -23 + BU-20K for hinge P/N 14090 etc.

Spacer, 12mm  
Square tube/bar in metal.

\*NOTE! Minimize according to local guidelines for finger protection.



Athmer Fingerschutz BA-28 for hinge P/N 14090 etc.

Copyright Sapa Building System AB. Rätt till ändringar förbehålles. We reserve the right to change the drawing.

**sapa:**  
**buildingsystem**

Alternatives for finger trap protection  
EI 30.

**FIRE PARTITION 2086**

1:3 22-03 TG2000-1640