

## DOOR

# SAPA 2050

## UNINSULATED DOOR SYSTEM FOR INTERIOR USE

SAPA door 2050 is excellent for interior solutions or areas without requirements for insulation.

### Performance

- SAPA door 2050 is an uninsulated system for interior use.
- Profile depth 50 mm.
- Outer glazing bead is integrated in the profile for asymmetrically placed glass (standard).
- Also available with design glass strips and centrally placed glass.
- Door leaf profiles are available for narrow and modular locks and with anti-finger-trap device.
- Folding door 75 kg per door leaf, and a maximum of 1 x 2.5 meter per door leaf (our recommendation).
- The doors can easily be connected to our system for glass walls and glass sections Sapa 3050.

### Design

- In and outward door leaf.
- Single doors, double doors, meeting doors, folding and sliding doors with or without side and toplights.
- Automatic sliding door.
- Sapa Door 2050 can be made with symmetrically placed glass with three different design glazing beads.

### Made with renewable energy

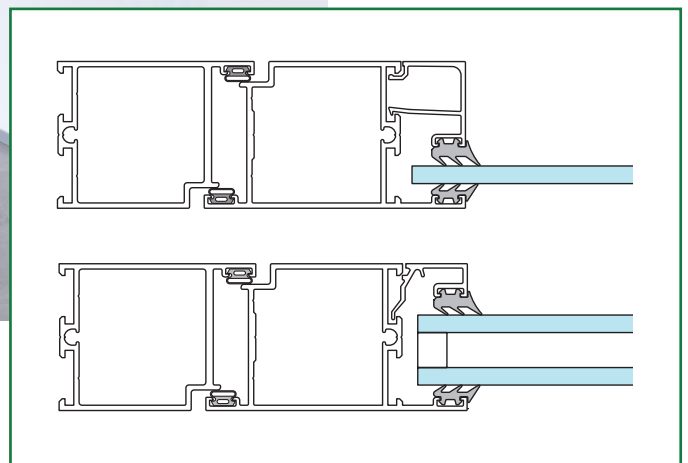
- SAPA door 2050 is made from Hydro REDUXA. Aluminium made with renewable energy from water, wind and solar. Hydro REDUXA has a maximum carbon footprint of 4.0 kg CO<sub>2</sub> per kg aluminium produced. Less than a fourth of the global average.



**Variants:** single doors, double doors, meeting doors, folding and sliding doors with or without top light and side light depending on the choice of glazing beads  
**Design choices:** narrow and modular profiles. Integrated glazing bead. Three different design glazing beads  
**Glass rebate:** 3–33 mm for integrated glazing bead  
5–10 mm for design glazing bead  
**Safety:** available with anti-finger-trap device

**sapa:**

By  Hydro



Hydro Building Systems Lithuania UAB  
Kirtimų g. 47, Vilnius  
LT-02244, Lithuania  
[www.sapabuildingsystem.com](http://www.sapabuildingsystem.com)

**sapa:**

By  Hydro