

DOOR

SAPA 2050 E30

UNINSULATED SYSTEM FOR INTERIOR FIRE SOLUTIONS

SAPA 2050 E30 is ideal for fire-rated interior applications. Glazed door and wall sections with a frame of uninsulated aluminium profiles and unlike other fire solutions. For moderate use passages with normal requirements for door stability and use.

Performance

- SAPA 2050 E30 is an interior uninsulated fire system for fire solutions.
- Glass and filling thickness 6–34 mm.
- Available with integrated or replaceable stop on the frame side for the door frame.
- Outer glazing bead is integrated in the profile for asymmetrically placed glass.
- Door leaf profiles are available for narrow and modular locks.
- The doors can be connected to glass walls (3050) and glass sections with a 50 mm profile depth.
- Could be combined with door closers or door automatics.

Safety

- Fire class E30 according to Swedish type approval 1199/94. P-marking certificate 144502.
- Fire class F30 according to NS 3919 approved in certificate for P-marking, 144502.

Approval certificate: SITAC 1199/94. P-marking certificate 144502

Max. dimensions (width x height, mm): door leaf dimensions, single door; W 1285 x H 2140 mm, door leaf dimensions, double door; W 2100 x H 2140 mm, fixed partition; W ∞ x H 3100 mm

Approved fire-resistant glass: Pyrodur 30–10 etc., Pyrobelite 7 and 9 etc., Contraflam lite 30, Pyran

Approved infill panels: boards of gypsum, stone wool, Ceminwood, Minerit and Vermiculux with cover of aluminium or steel plates

Design

- In and outward door leaf.
- Single and double door with or without side and toplight.
- Profile depth: 50 mm.
- Bar width: 74–172 mm.
- Glazing bead height: 22 mm.
- Thresholds are available in different designs, the doors can be mounted even without a threshold with a gap at the bottom, alternative with a gap in the bottom with automatic sealing threshold.
- Frame width: 67–150 mm.
- Door leaf width: 89–120 mm.
- Extra wide mullion, 228 mm, for automatics above door.
- Solution with butt joint glass for fixed partitions.
- Split mullions available.

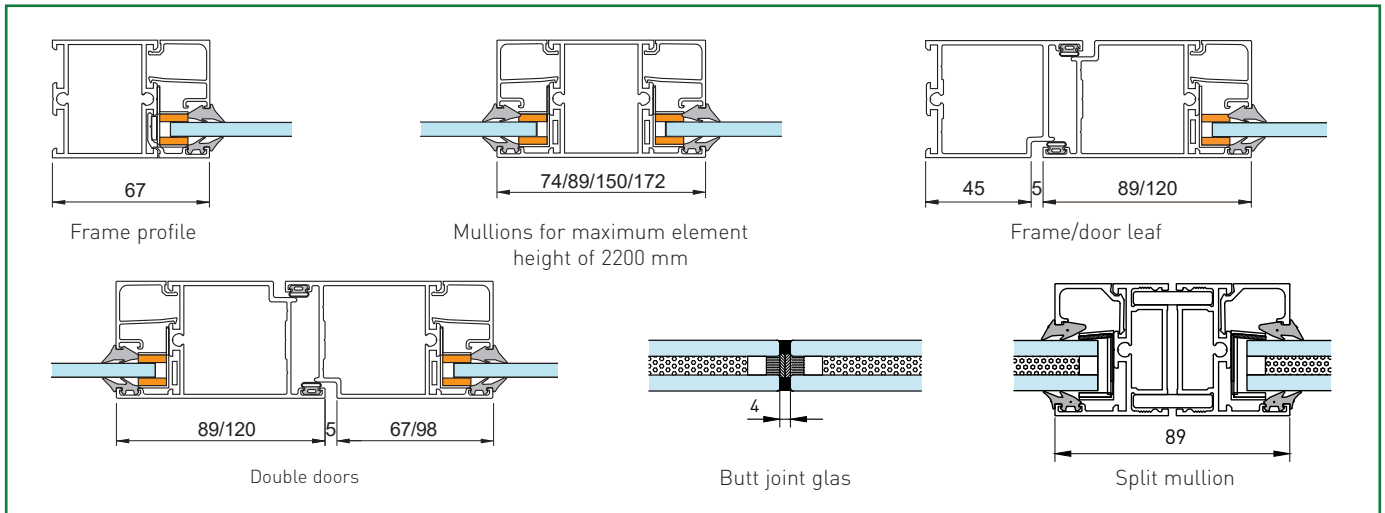
Made with renewable energy

- SAPA 2050 E30 is made from Hydro REDUXA. Aluminium made with renewable energy from water, wind and solar. Hydro REDUXA has a maximum carbon footprint of 4.0 kg CO₂ per kg aluminium produced. Less than a fourth of the global average.

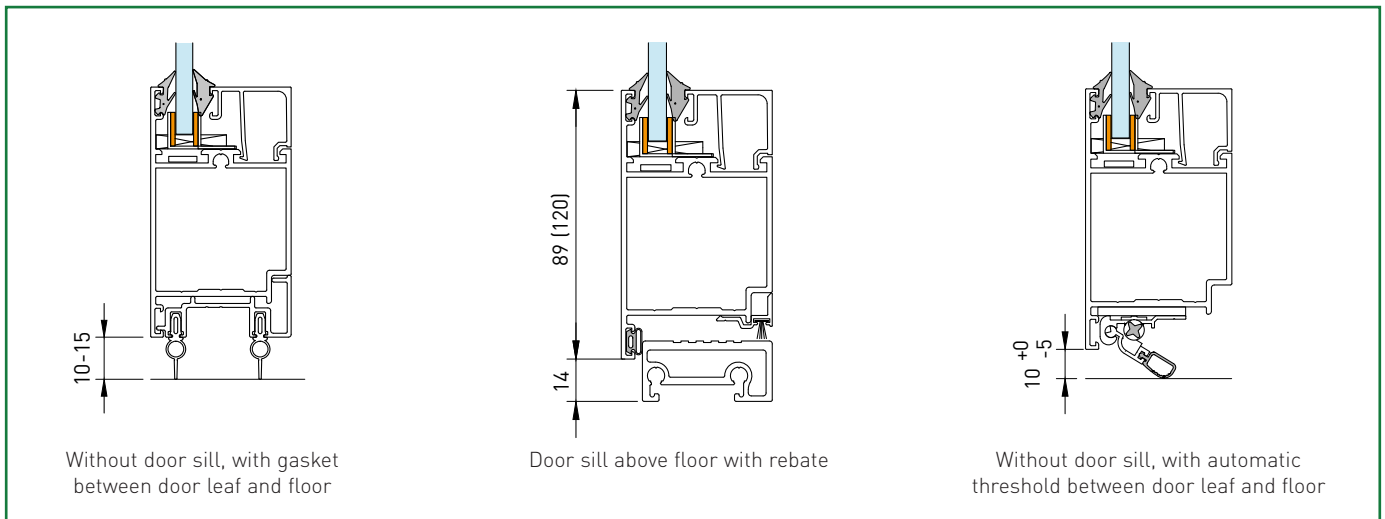


Applications

Design details for fire-resistant elements 2050 E30



Examples of door sills for Door 2050 E30, interior applications



Hydro Building Systems Lithuania UAB
Kirtimų g. 47, Vilnius
LT-02244, Lithuania
www.sapabuildingsystem.com

sapa:

By  Hydro