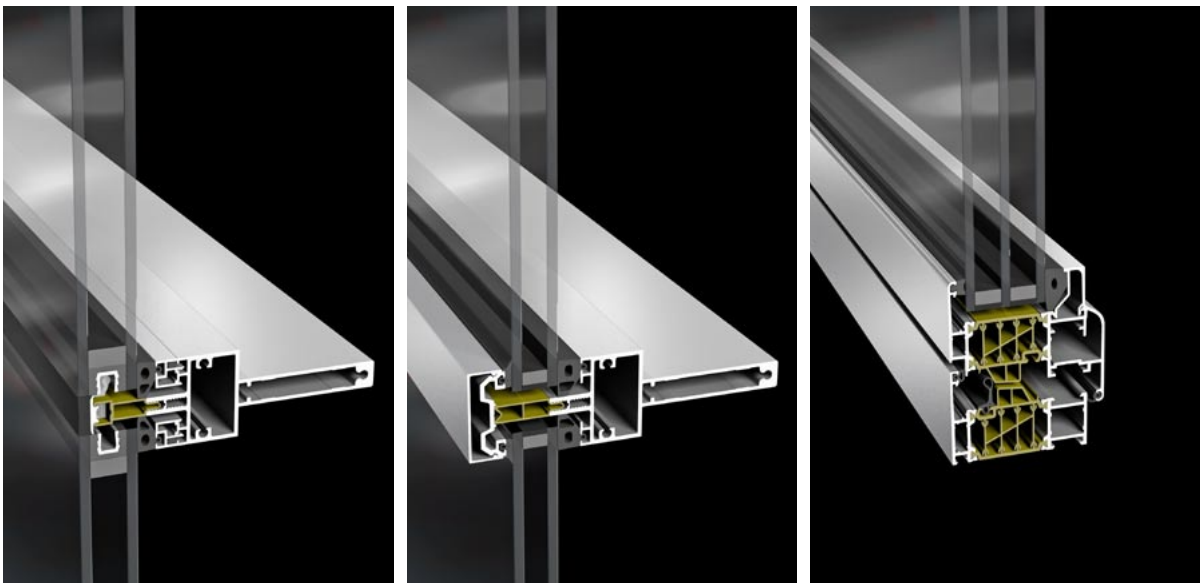




Sapa Building System

Energy efficient solutions





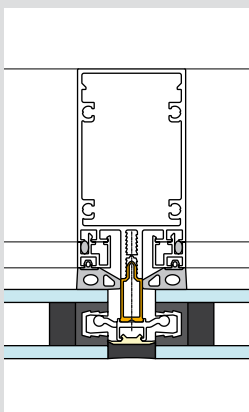
Sapa Façade System

4150 SSG **Structural Glazing**

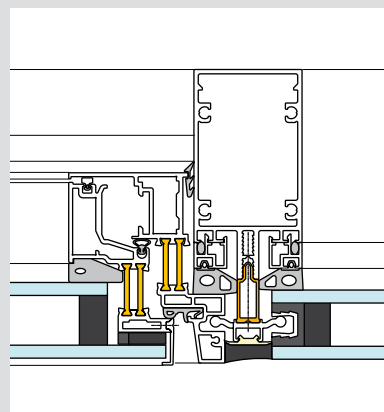
Our Structural Glazing system is developed from the **4150 base system** with a rebate for double glazing units and a mechanical glass fixing system. The system can also be complemented with mechanical safety fasteners for the outside glass panes. We offer **the lowest U value on the market for double glazing units** with a TPS type “warm edge” distance profile which guarantees gas tightness.

4150 SSG, Structural Glazing. The system is based on glazing units with a “warm edge” and a specially developed distance strip in the glazing unit for installation fittings. The glass panes are anchored in the framework profiles with the help of installation fittings. The outside sealing between the glass panes is done with the use of a sealing compound (usually black) approved for the structure. Structural Glazing gives the façade a smooth surface. The façade system is based on the 4150 system and consists of 50 mm wide insulated aluminium profiles. The design of the inside gasket and the insulating strip optimises the insulation of the profiles. The profiles are designed so as to ensure stability under the dimension loads and are joined together with hidden joints.

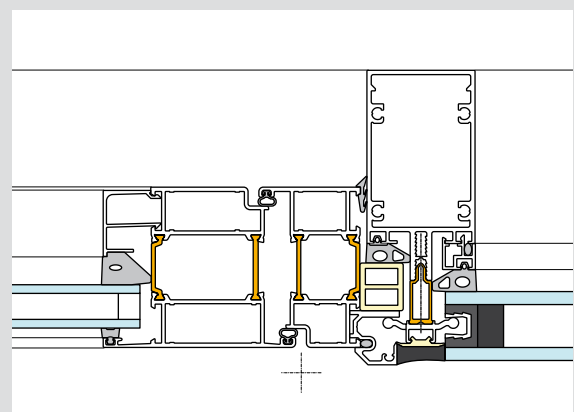
- The glass rebates are ventilated and provide space for double glazing units.
- Opening windows with hidden sash, adapted to Structural Glazing.
- Doors and entrance elements with adapted connection elements.
- Rectangular, I- and T-shaped framework profiles for interior design.
- The system can be complemented with outside safety fasteners for the glass panes.
- **Double glazing units** with TPS distance profiles and energy saving glass:
U value reduced to **0,9 W/m²K**.
- Surface treatment: The profiles can be surface finished by anodising (clear or Hardoxal colours) or powder coating (NCS-S and RAL).
- Air tightness: the system meets the requirements for class A4 according to EN 12152.
- Water tightness: the system meets the requirements for class R7 according to EN 12154.
- Wind load: the system meets the requirements according to EN 13116.



Middle cross-bar



Connection with 4074 outward opening window



Connection with 2074 door



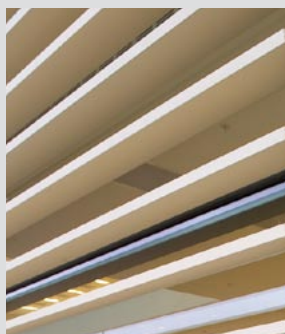
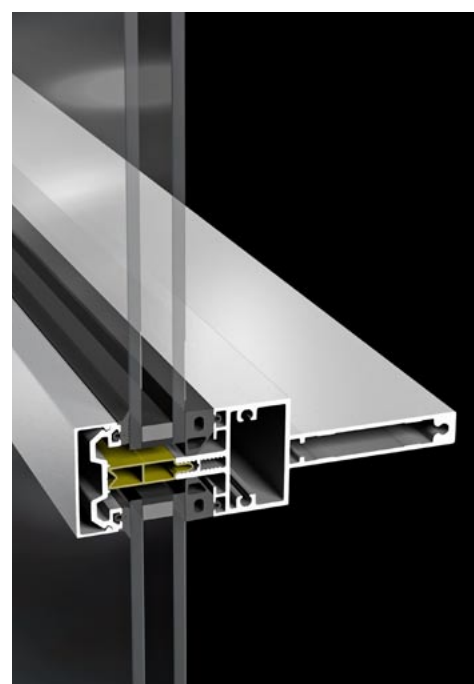
Sapa Façade System

4150 with **energy efficient** solutions

Façade system with space for many functions. **Use the right glazing units and infill panels** to get optimised **U value in the entire façade**. With **solar cell panels** the façade generates electricity and supplies extra energy. External solar protection on the glass façade results in **reduced cooling needs** and lets the necessary daylight in. The façade system is available in a new version, **4150 SX**, in which the energy efficiency is improved even more thanks to the newly developed insulator.

The **4150 façade system** consists of 50 mm wide insulated aluminium profiles. The design of the inside gasket and the insulating strip optimises the insulation of the profiles. The profiles are designed to ensure stability under the dimension loads and are joined together with hidden joints.

- 50 mm wide **insulated framework profiles** with a profile depth up to 300 mm.
- Rectangular, I- and T-shaped framework profiles for interior design.
- Wide range of external decorative profiles, Add and Expressive.
- Rebate for double and triple glazing units.
- **Triple glazing units** with warm edge and energy saving glass: U value reduced to **0,4 W/m²K**.
- **Vaku Panel** with U value reduced to **0,17 W/m²K**.
- **Solar cell panels** which generate **environmentally friendly electricity**.
- Four window systems. Several functions and various designs.
- Meets the requirements for **fire resistance class E 30 and EI 30**.
- **Solar protection** with a simple attachment to Add profiles. Three louvre types: Bow, Wing and Box.
- Surface treatment: The profiles can be surface finished by anodising (clear or Hardoxal colours) or powder coating (NCS-S and RAL).



Sapa Solar Shading

Limit the sunlight and keep the view with our external solar protection systems ensuring improved interior climate.



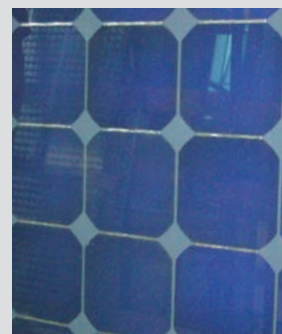
Sapa Vaku Panel

Infill panel system with several surface layers. Glass, aluminium sheet and steel sheet are the standard materials. U value reduced to 0,17 W/m²K.



Glazing units with VK

The system rebate provides space for glazing units up to 54 mm thick. Modern glazing units with U value reduced to 0,4 W/m²K.



Solar cell panels

The system rebate provides space for several types of solar cell panels. The panels generate electricity and supply extra energy.



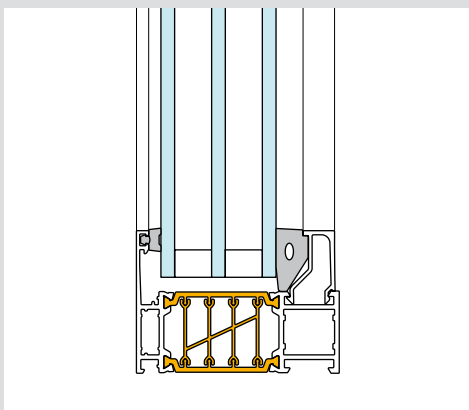
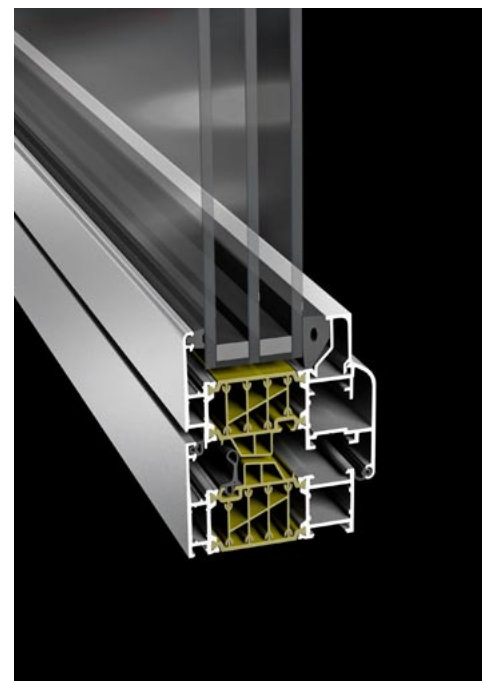
Sapa Window System

1074 SX. Windows with **low U value**

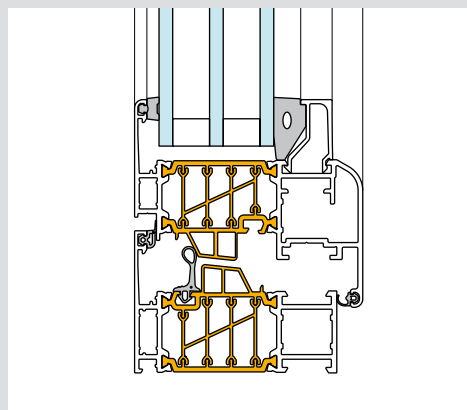
Our new 1074 SX window system with more efficient insulation and rebate for triple glazing units come with U value reduced to **0,9 W/m²K**. Good form stability, long service life and **maintenance reduced to a minimum** are some of the advantages of aluminium windows. Window profiles, aluminium handles and fittings give a uniform appearance.

1074 SX window system. A new window with optimised insulation made of glass fibre reinforced polyamide strip installed between the aluminium profiles. The structure ensures **good form stability**. Our aluminium windows are durable, require minimum maintenance and have long service life. The system has a rebate for up to 42 mm thick glazing units and is based on glazing units with "warm edge" which ensure **optimised U values**. The windows can be fitted with multi-function glazing units with improved noise reduction ability, dirt repellent properties, anti-burglar protection, and more. When fitted with anti-burglar fittings and glass, the window meets the requirements for class 2 according to ENV 1627.

- Opening and fixed units.
- The system has a rebate with space for glazing units up to 42 mm thick.
- Triple glazing units with warm edge: **U value reduced to 0,4 W/m²K**.
- Fittings for tilt-and-turn, bottom-hung, top-hung and side-hung, inward opening windows.
- Aluminium handle. Lockable or non-lockable version.
- Surface treatment: The profiles can be surface finished by anodising (clear or Hardoxal colours) or powder coating (NCS-S and RAL).
- Air tightness: the system meets the requirements for class 4 according to EN 12207.
- Water tightness: the system meets the requirements for class 9A according to EN 12208.
- Wind load: the system meets the requirements for class 3 according to EN 12210.
- Anti-burglar protection: the system meets the requirements for class 2 according to ENV 1627.
- Noise reduction: Rw 40-43 dB according to EN ISO 140-3.



Fixed window



Inward opening window



Aluminium handle



Information and support

HEAD OFFICE

Sweden:

Sapa Building System AB

574 81 Vetlanda

Phone +46 383 942 00 Fax +46 383 76 19 80

E-mail: system.se@sapagroup.com

Internet: www.sapabuildingsystem.se

SALES OFFICES

Denmark:

Sapa Building System

Langhøjvej 1 Indgang A 8381 Tilst

Phone +45 86 16 00 19 00 Fax +45 86 16 00 79

E-mail: system.dk@sapagroup.com

Internet: www.sapabuildingsystem.dk

Finland:

Sapa Building System

Sinikalliontie 18 A, 02630 Espoo

Phone +358 9 86 78 280 Fax +358 9 86 78 28 20

E-mail: system.fi@sapagroup.com

Internet: www.sapabuildingsystem.fi

Lithuania:

Sapa Building System

Kalvariju str. 300, LT-08318 Vilnius

Phone +370-5 273 32 92 Fax +370-5 275 88 12

E-mail: system.lt@sapagroup.com

Internet: www.sapabuildingsystem.lt

Norway:

Sapa Building System

Boks 33, 2001 Lillestrøm

Phone +47 63 89 21 00 Fax +47 63 89 21 20

E-mail: system.no@sapagroup.com

Internet: www.sapabuildingsystem.no

United Kingdom:

Sapa Building System AB

Red Hill House, Hope Street, Saltney, Chester CH4 8BU

Phone +44 1244 681 350 Fax +44 1244 681 220

E-mail: system.uk@sapagroup.com

Internet: www.742060.com

FABRICATORS

Hungary:

Vetlanda Kft.

Szabó Illunka u. 22, 1015 Budapest

Phone +36 12 25 06 41 Fax +36 12 25 06 42

E-mail: csaba.zatyko@vetlanda.hu

Internet: www.vetlanda.hu

Iceland:

Gluggasmidjan hf.

Vidarhófda 3, 112 Reykjavik

Phone +354 577 50 50 Fax +354 577 50 51

E-mail: gunnargud@gluggasmidjan.is

Internet: www.gluggasmidjan.is