

EXCLUSIVE HANDLES  
COLLECTION

—  
SELECTION



**sapa:**

By  Hydro

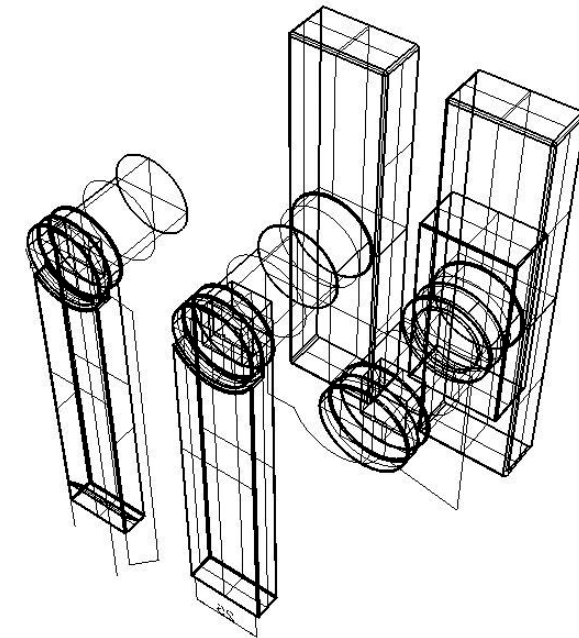
THE DISCREET BUT EFFECTIVE  
DESIGN APPROACH FOR  
OUR NEW EXCLUSIVE RANGE

- **SELECTION, TEMPTATION  
& PASSION** -

AIMS TO ALLOW USERS  
TO CUSTOMIZE THEIR HANDLES,  
CREATING A SOPHISTICATED  
BUT TIMELESS AND FUNCTIONAL  
VISUAL SIGNATURE ON DOORS  
AND WINDOWS.

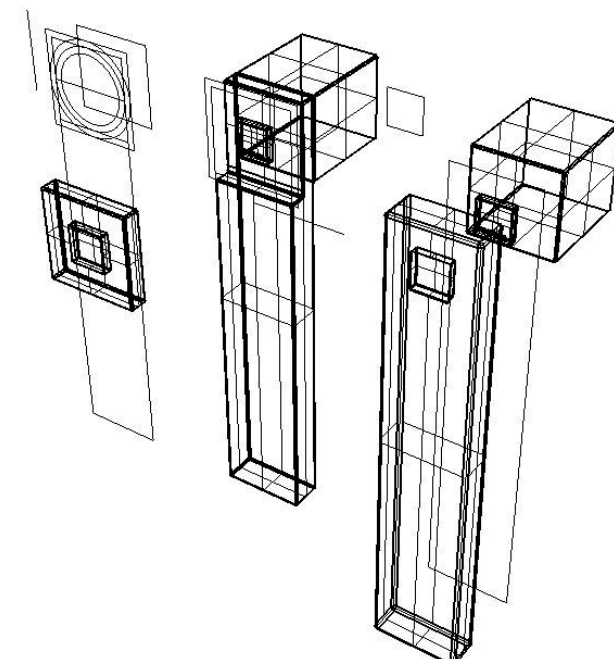
ALL THE VERSIONS  
HAVE BEEN PARED DOWN  
TO THEIR ESSENCE  
BUT ALWAYS STAYING FAITHFUL  
TO A FIRM COMMITMENT TO NOBLE  
MATERIALS AND CLEAN LINES.

## UNIQUENESS IN EVERY TOUCH



/ THESE HANDLES, WITH THEIR EVIDENT SIMPLICITY AND LACK OF GRATUITOUS FRILLS OR EMBELLISHMENTS, CLEARLY SHOW THEIR EFFICIENCY FOR LONG-TERM USE

— BERNARD MONFORT, DESIGNER OF EXCLUSIVE HANDLES COLLECTION —



## SELECTION

/ TRUE TO SAPA'S PRACTICAL APPROACH TO DESIGN, THIS RANGE OF HANDLES DRAWS ATTENTION WITH ITS UNDERSTATED AND ELEGANT LINES. A STRONG VISUAL IDENTITY WITH SIMPLE AND GRAPHIC GEOMETRIC SHAPES, ROUND OR SQUARE, WITH AN ERGONOMIC DESIGN TO THE TOUCH THAT MODERNISES THE CURRENT OFFER. PROVEN QUALITY, WITH ANODISED OR COATED FINISHES FOR EACH HANDLE, NOT TO MENTION THE NEW BLACK ANODIZED FINISH THAT ADDS AN EXTRA LEVEL OF SOPHISTICATION.



## TEMPTATION

/ THIS RANGE BUILDS ON SAPA'S EXPERTISE, TAKING ITS EXTRUDED ALUMINIUM DESIGN TO NEW LEVELS OF HIGH QUALITY AND CLEAN LINES. ALL THE ELEMENTS COME IN A MIX OF FINISHES, TEXTURES AND COLOURS AND CAN BE COMBINED TO GET UNIQUE AND PERSONALISED COLOUR OPTIONS. ALL THIS DESIGNED TO ACHIEVE A UNIQUE VISUAL SENSATION AND A MAGNIFICENT EXPERIENCE TO THE TOUCH.



## PASSION

/ TAKING DESIGN TO NEW HEIGHTS, THE PASSION RANGE IS A NEW EXPRESSION IN LUXURY FITTINGS, WITH EXCLUSIVE MIXES OF FINISHES AND MATERIALS AIMED AT PLEASING EVEN THE MOST DEMANDING USERS. MAKING USE OF SIMPLE GEOMETRIC SHAPES, THIS COLLECTION WORKS AS THE PERFECT COMPLEMENT TO A WIDE RANGE OF ARCHITECTURAL AESTHETICS.





SELECTION





SELECTION



## SELECTION

SELECTION extols minimalism and functionality while offering a unique visual experience and a pleasant touch. Its uniform visual identity, in accordance with the highest design standards, comes together in the ROUND version, with a more classic, yet extremely elegant aesthetic trend.



The SQUARE version of SELECTION opts for more restrained lines, with right angles, combining perfectly with the essence of the design of SAPA's aluminium work. A modern style, in line with a bold aesthetic, which also offers excellent manoeuvrability, adding a unique touch to any space.





SELECTION





SELECTION





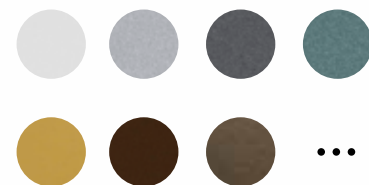


**/ MINIMALISM AND  
MAXIMUM ERGONOMICS**

SELECTION has been designed to be extremely ergonomic and adaptable, as well as having elegant aesthetics. As a result, the back of the handles is rounded, which provides an excellent grip and has a pleasant feel. This rounded design, along with the straight-line aesthetics at the front, create a uniform model that offers the perfect balance between functionality and maximum slenderness.

**/ TEXTURE AND COLOUR**

The handles in this collection are made of cast aluminium, with a lacquered or anodised surface finish, and come in any of the SAPA range of colours.



**/ A ROSETTE FOR EVERY NEED**

SELECTION handles are available with standard 27 x 10 mm rosettes and large 32 x 14 mm rosettes for doors and high dimensions windows with special weights, both with a fastening screw system included. There is also the option of fitting the window systems with a reduced rosette of just 30 x 30 mm (available in 2022). Option of rosette with key 33 x 14 mm is provided for windows (available in September 2021)

Handle with reduced rosette\* for windows



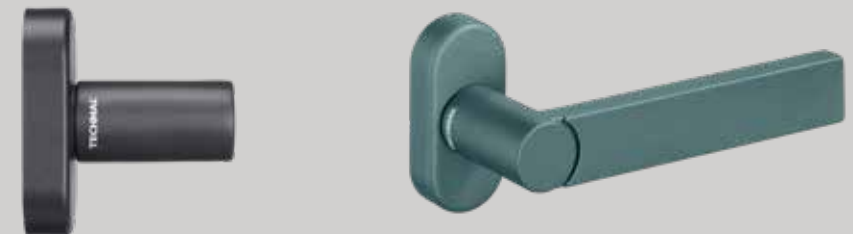
Handle with standard rosette for windows



Handle with rosette\*\* with key for windows



Handle with large rosette for doors



\* The reduced rosette will be available in 2022.

\*\* Option of rosette with key will be available in September 2021.

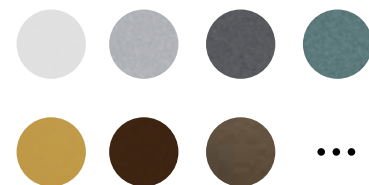


**/ MINIMALISM AND  
MAXIMUM ERGONOMICS**

SELECTION has been designed to be extremely ergonomic and adaptable, as well as having elegant aesthetics. As a result, the back of the handles is rounded, which provides an excellent grip and has a pleasant feel. This rounded design, along with the straight-line aesthetics at the front, create a uniform model that offers the perfect balance between functionality and maximum slenderness.

**/ TEXTURE AND COLOUR**

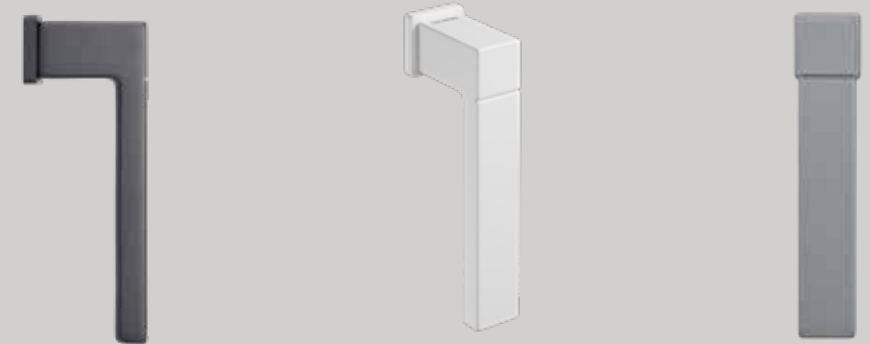
The handles in this collection are made of cast aluminium, with a lacquered or anodised surface finish, and come in any of the SAPA range of colours.



**/ A ROSETTE FOR EVERY NEED**

SELECTION handles are available with standard 27 x 10 mm rosettes and large 32 x 14 mm rosettes for windows with special weights, both with a fastening screw system included. There is also the option of fitting the window systems with a reduced rosette of just 30 x 30 mm (available in 2022). Option of rosette with key 33 x 14 mm is provided for windows (available in September 2021)

Handle with reduced rosette\* for windows



Handle with standard rosette for windows



Handle with rosette\*\* with key for windows



Available a special handle with large rosette (160 mm) for TIGAL



\* The reduced rosette will be available in 2022.

\*\* Option of rosette with key will be available in September 2021.



SELECTION





SELECTION











**sapa:**

IMAGINE WHAT'S NEXT