

WINDOW

SAPA 1086 VINTAGE

RETRO DESIGN MEETS MODERN PERFORMANCE

SAPA 1086 Vintage is based on our high insulated window system with low U-value.

Performance

- SAPA 1086 Vintage – for both fixed and inward openable windows, is based on a stable construction with 86 mm deep profiles.
- It is basic insulated with 42 mm fiberglass-reinforced polyamide strips and can withstand the highest class of air and rain tightness and low U-value.
- 1086 Vintage rebate for glass 20–64 mm, Vintage Block window rebate for glass 22–49 mm.
- The window can be easily combined with Glazed Element 3086.

Thermal performance

- $U_w = 1,1 \text{ W/m}^2\text{K}$ ($U_g = 0,5 \text{ W/m}^2\text{K}$), (B x H) 1230 x 1480 mm, Vintage standard
- $U_w = 1,0 \text{ W/m}^2\text{K}$ ($U_g = 0,5 \text{ W/m}^2\text{K}$), (B x H) 1230 x 1480 mm, Vintage block window

Sealing performance

- Air permeability: Class 4 according to EN 12207.
- Watertightness: Class 9A according to EN 12208.
- Wind resistance: Class C3 according to EN 12210.

Thermal performance: $U_w = 1,1 \text{ W/m}^2\text{K}$ ($U_g = 0,5 \text{ W/m}^2\text{K}$), (B x H) 1230 x 1480 mm, Vintage
 $U_w = 1,0 \text{ W/m}^2\text{K}$ ($U_g = 0,5 \text{ W/m}^2\text{K}$), (B x H) 1230 x 1480 mm, Vintage block window
 Air permeability: Class 4 according to EN 12207
 Watertightness: Class 9A according to EN 12208
 Wind resistance: Class C3 according to EN 12210
 Glass rebate: 1086 Vintage: 20–64 mm, 1086 Vintage block window: 22–49 mm
 Sash weight, max: 1086 Vintage: 130 kg, 1086 Vintage block window: 100 kg

Design

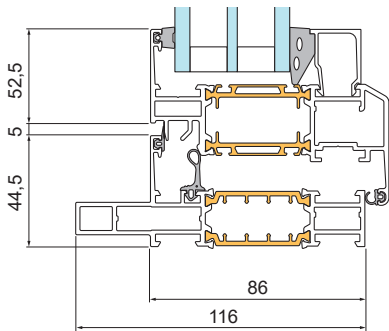
- Available as block window with stepped glazing that conceals the frames from the outside
- The fixed window sashes can be bent into circular or semi-circular shapes
- As fixed window or single window.
- Fittings: side-, bottom-, top- or side- and bottom-hung.
- Hinges: hidden or visible

Minimize the CO₂ footprint

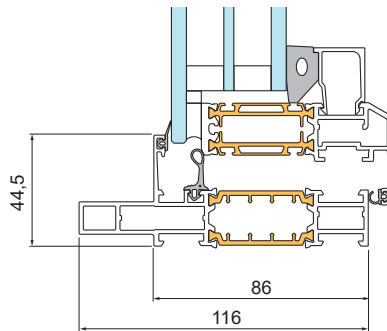
SAPA's products are made of aluminum with a low carbon footprint. At present, our entire product range consists of the Hydro CIRCAL alloys, made from recycled aluminum from post-consumer scrap and Hydro LOW-CARBON aluminum, made from renewable energy. Read more about this at www.sapa.lt

sapa:

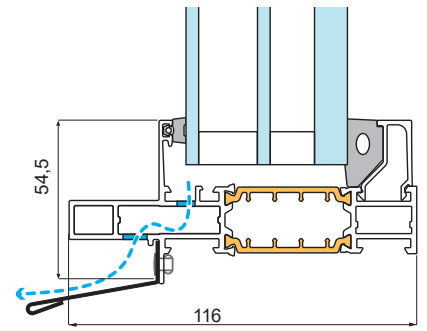
By  Hydro



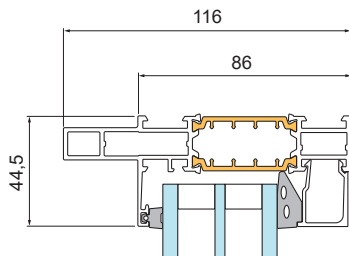
Inward-opening window, frame/sash 1086 Vintage



Inward-opening window, frame/sash 1086 Vintage block window



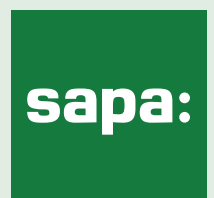
Fixed window, frame 1086 Vintage



Fixed window can be formed into circular or semi-circular shapes.



Hydro Building Systems Lithuania UAB
Kirtimų g. 47, Vilnius
LT-02244, Lithuania
www.sapa.lt



By  Hydro