

## FIRE PROTECTION

# SAPA 2086 EI/EI2 60 Sa/S200

## INSULATED DOOR AND DOOR PARTITIONS

SAPA 2086 EI/EI2 60 Sa/S200 are fire-rated door partitions with smoke-leakage performance. A robust and proven system with protecting doors against harmful gases. Sa/S200 has higher smoke-leakage performance than a standard fire door.

### Performance

- Door leaf size Sa Single door max 1350 x 2930 mm, double door 2613 x 2930 mm
- Door leaf size S200 Single door max 1350 x 2250 mm, double door 2613 x 2250 mm.
- Door partition size (WxH), 2694 (single door)/3491 (double door) x 3140 mm
- Finger protected edges on hinge side
- Glass and infills with the thicknesses of 22-49 mm
- Tested for repeated opening and closing (durability) to class C5 (at least 200 000 cycles)
- Can be combined with door closer/door automatics
- Solution for panic exit door with rubber edge
- Flushbolts as single, double or automatic
- Standard hinge available
- Connection to our fire-rated glass wall 3086

### Safety

- Fire class EI/EI2 60.
- Smoke-leakage classes Sa/S200.
- Sa can be combined with RC2/RC3
- S200 can be combined with RC2

### Design

- Single/double door and door partitions
- Profile depth 86 mm. Glass strip height 22 mm
- Frame width 67–128 mm / Bar width 89–150 mm
- Outer glazing bead is integrated in the profile
- Split mullions available
- Reinforced profiles with up to 150 mm profile depth
- Doorleaf width: 89-120 mm (narrow/modular profile)
- Design similar to standard 86-system
- Standard thresholds as well as without threshold and options with automatic threshold
- The fire-resistant glass can be combined with burglar- and sound rated glass
- Concealed cables inside profiles possible

### Low carbon footprint

SAPA 2086 EI/EI2 60 Sa/S200 is made from Hydro CIRCAL, recycled low carbon aluminium. That means it's high quality aluminium made with a minimum of 75% recycled end-of-life aluminium (post-consumer scrap). Hydro CIRCAL has a carbon footprint of 2.3 kg of CO<sub>2</sub>/kg of aluminium on average.

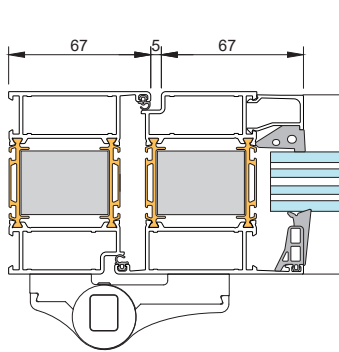
Approval certificate: Type Approval SC0836-14  
CE-marking acc. EN 16034 and EN 14351-1  
Max. dimensions: single door: W 1350 x H 2250/2930 mm,  
double door: W 2613 x H 2250/2930 mm

Approved fire-resistant glass, in SGU, DGU and TGU:  
Pyrostop 60, Contraflam 60, Pyrobel 25 and Polflam EI60  
Approved infill panels: Plasterboard/Promatect covered  
with aluminium sheet or Rockwool board + plasterboard  
covered with aluminium sheet or Rockwool board +  
Glasroc H Storm covered with aluminium sheet.

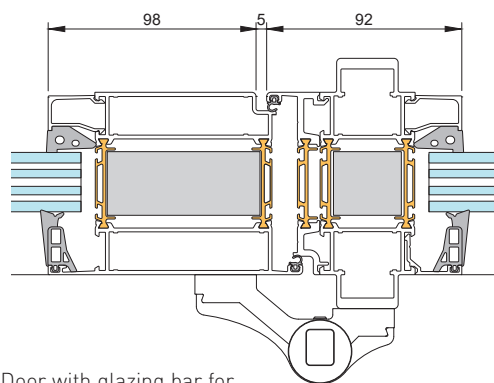


## Applications

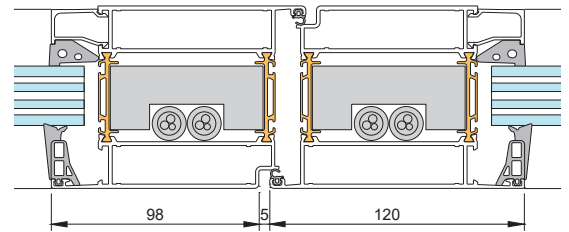
Design details for fire-resistant elements 2086 EI 60 Sa/S200



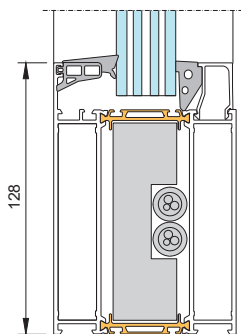
Frame/door leaf narrow section



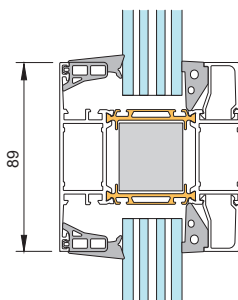
Door with glazing bar for element height above 2500 mm



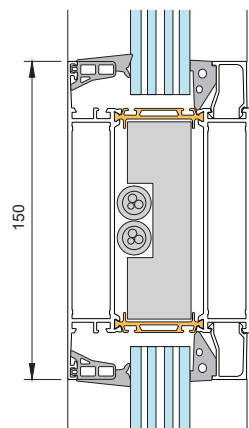
Frame/door leaf modular section with electric cables



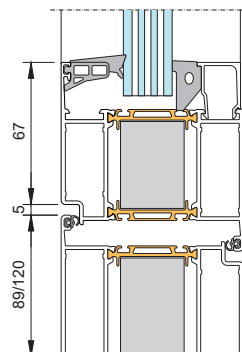
Frame with electric cables



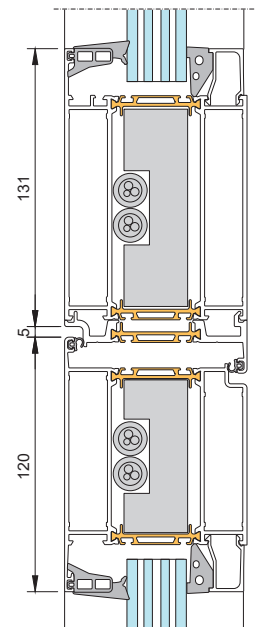
Glazing bar



Glazing bar with electric cables



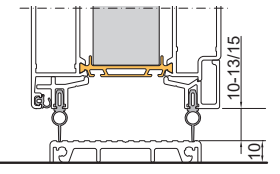
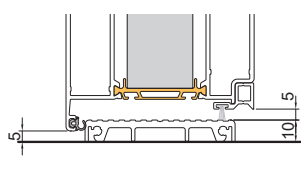
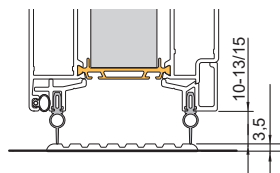
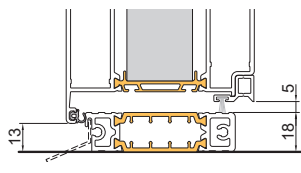
Top edge of door with integrated top light in frame



Top edge of door with top light modular section, with electric cables

\*) For smoke-leakage doors only certain variants of stop gaskets are available

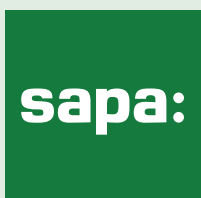
Examples of door sills for Door 2086 EI 60 Sa/S200



Threshold alternatives Sa

Threshold alternatives S200

Hydro Building Systems Lithuania UAB  
Kirtimų g. 47, Vilnius  
LT-02244, Lithuania  
[www.sapa.lt](http://www.sapa.lt)



By Hydro